

Vantage® LED

LED High Bay



DesignLights Consortium® (DLC) qualified product. Not all versions of this product may be DLC qualified. Please check the DLC Qualified Products List at www.designlights.org to confirm which versions are qualified.

Catalog Number	
Notes	Type

Description

The Vantage LED luminaire exceeds rigorous demands of food-processing plants and related areas, thanks to its strategic sloped shape and ultra-sleek corrosion-resistant finish that repel water and provide nowhere for food, dirt or debris to hide.

Optics

- Prismatic acrylic optic directs light where needed and reduces harsh glare.
- Medium distribution with optional uplight reflector.
- Wide distribution with optional uplight reflector.
- Highly engineered LED system ensures superior uniformity and maximizes spacing.

Electrical

- 0–10V dimming driver is standard (must specify the DM option to enable dimming).
- CRI > 70 (nominal) is standard.
- 4000K or 5000K CCT available.
- Fault-tolerant LED light engine continues to provide light even in the failure of one LED.
- Aluminum core printed circuit board.
- 10kA/10kV surge protection is standard.
- Optional 20kA in-line surge available. 120–277 only.

Mechanical

- Robust cast aluminum housing with low copper content (0.6% CU content) withstands harsh or hostile environments.
- Pendant mount standard.
- Achieves up to 131°F (55°C) ambient rating.
- Standard fixture color is white.

Listings

- CSA and UL Listed to 1598 standard for use in wet locations.
- IP66 rated.
- NSF Splash Zone listed.
- 1500psi hosedown.

Warranty

5-year limited warranty. Complete warranty terms located at: www.acuitybrands.com/CustomerResources/Terms_and_Conditions.aspx.

Actual performance may differ as a result of end-user environment and application.

All values are design or typical values, measured under laboratory conditions at 25 °C.

Typical Applications

- Food processing and handling
- Poultry and meat processing
- Beverage processing
- Grain and sugar processing
- Chemical facilities
- Pharmaceutical plants
- Pet-food production

Dimensions: Inches (millimeters) unless otherwise noted.

Diameter: 20.65 (524.51)
 Height: 16.67 (423.42)
 Weight: 36 lbs. (16.3 kg)

ORDERING INFORMATION

Example: VL 18L 4K AS M

Series	Lumens ¹	Color temperature	Voltage	Optics
VL	12L 12,000 lumens ² 22L 22,000 lumens ⁴ 14L 14,000 lumens ² 28L 28,000 lumens ⁴ 18L 18,000 lumens ³	3K 3000K CCT 4K 4000K CCT 5K 5000K CCT	AS Auto sensing (120V–277V) 27 277V 12 120V AH Auto sensing (347V/480V) 20 208V 34 347V 24 240V 48 480V	M Medium W Wide MU Medium with uplight reflector WU Wide with uplight reflector

Options

CDPW-L5-15-X	120V cord and Daniel Woodhead watertite plug (includes PF-291) ⁵	CDW-X	X-ft white cord and hook (includes PF-291) ⁸	SBGR6	360° motion sensor embedded, high bay 15–45 ft., on/off, IP66 rated ¹²
CDPW-L6-15-X	208V/240V cord and Daniel Woodhead watertite plug (includes PF-291) ⁶	CDY-X	X-ft yellow cord and hook (includes PF-291) ⁸	SBGR6D	360° motion sensor embedded, high bay 15–45 ft., on/off with second time-out period, goes to a dimmed state before turning off max./min. Dim setting, IP66 rated ¹³
CDPW-L7-15-X	277V cord and Daniel Woodhead watertite plug (includes PF-291) ⁷	CDAM-X	Antimicrobial cord and Daniel Woodhead watertite plug (includes PF-291) ⁸	AXA10	XPoint Wireless enabled ¹⁴
CDPAM-L5-15-X	120V antimicrobial cord and Daniel Woodhead watertite plug (includes PF-291) ⁵	F1	Single fusing ⁹	MSE6AWL DSCXAWL	XPoint wireless enabled with photocell & occupancy sensor ¹⁵
CDPAM-L6-15-X	208V/240V antimicrobial cord and Daniel Woodhead watertite plug (includes PF-291) ⁶	F2	Double fusing ¹⁰	80CRI	80 CRI CCT
CDPAM-L7-15-X	277V antimicrobial cord and Daniel Woodhead watertite plug (includes PF-291) ⁷	SPAS20K	20kA in-line surge. 120–277		
		DM	0–10V dimming knockout ¹¹		

Accessories: Order as separate catalog number.

CDCW-L5-15-3	120V white cord and Daniel Woodhead watertite connector (wet locations)	CDCW-L7-15-3	277V white cord and Daniel Woodhead watertite connector (wet locations)
CDCW-L6-15-3	208/240V white cord and Daniel Woodhead watertite connector (wet locations)	PF-291	Universal gasketed hook assembly, 3/4" male

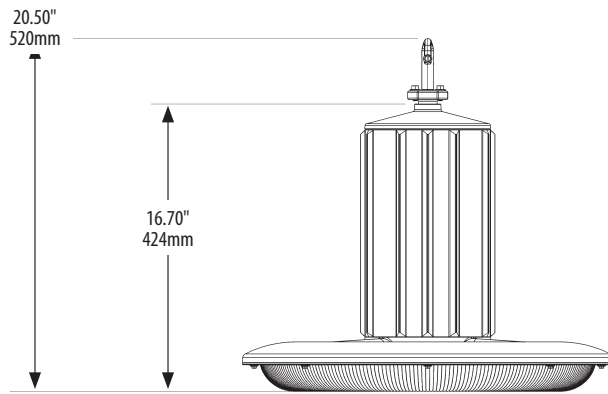
For Footnotes, see page 2

ORDERING DATA (cont'd)

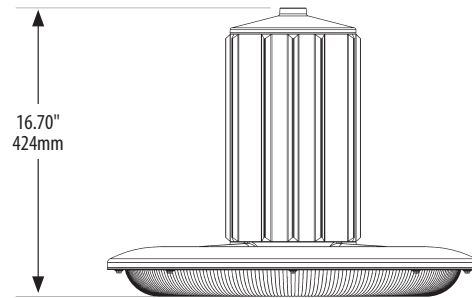
Notes

- 1 Nominal lumens, see IES file for delivered lumens, 70 CRI is standard.
- 2 Rated at 55°C.
- 3 Rated at 55°C with AS, 12, 20, 24, 27 voltages only. Rated 50°C WITH AH, 34 and 48 voltages.
- 4 Rated at 45°C.
- 5 12 voltage required. X signifies feet of cord (3-6 ft is standard).
- 6 20 or 24 voltage required. X signifies feet of cord (3-6 ft is standard).
- 7 27 voltage required. X signifies feet of cord (3-6 ft is standard).
- 8 X signifies feet of cord (3-6 ft is standard). No plug.
- 9 Specify voltage; 12, 24, 27 or 34.
- 10 Specify voltage; 20, 24 or 48.
- 11 1/2" NPT provided for dimming connection. Not Available with AXA10, MSE6XAWL DSCXAWL, SBGR6D options.
- 12 CSA listed, not NSF rated or 1500 PSI rated. Not UL listed. Not available with AXA10, MSE6XAWL DSCXAWL, SBGR6D.
- 13 CSA listed, not available with DM option. Not NSF rated or 1500 PSI rated, Not UL listed. Not available with AXA10, MSE6XAWL DSCXAWL, SBGR6 options.
- 14 CSA listed. Not UL listed. Available with 120, 208, 240, 277 voltages only. Not available with MSE6XAWL DSCXAWL, SBGR6, SBGR6D, DM options. 45° C rated only.
- 15 CSA listed, not NSF rated or 1500 PSI rated. Not UL listed. Available with 120, 208, 240, 277 voltages only. Not available with AXA10, SBGR6, SBGR6D, DM options. 45° C rated only.

DIMENSIONAL DATA

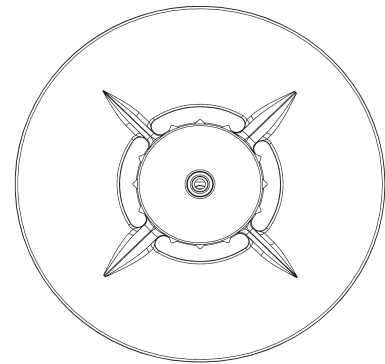
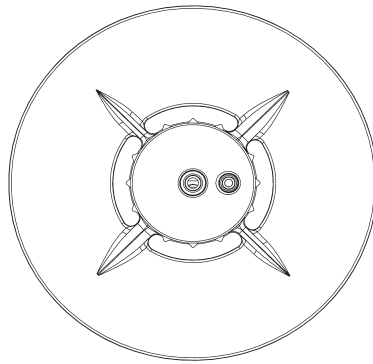


Gasketed Hook

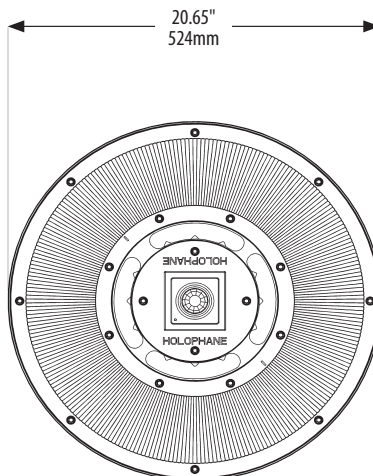


Pendant

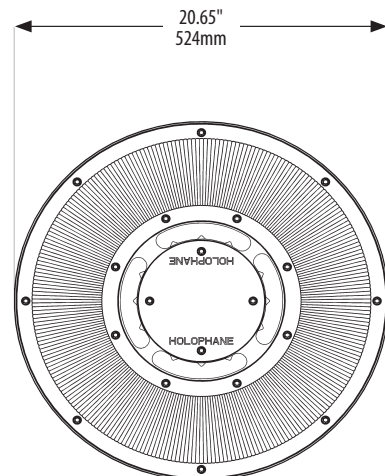
Top View



Bottom View



with Motion Sensor option



OPERATIONAL DATA

Operating Characteristics

Package	Ambient Rating	Distribution	Delivered Lumens 5000K CCT @25°C ¹	Delivered Lumens 4000K CCT @25°C ¹	Wattage @ 120V	LPW @ 5000K
VL12L	-40°F to 131°F (-40°C to 55°C)	M	12,050	11,975	99	122
		MU	11,347	11,277	99	114
		W	11,385	11,314	99	115
		WU	11,070	11,001	99	112
VL14L	-40°F to 131°F (-40°C to 55°C)	M	15,269	15,174	128	119
		MU	14,379	14,290	128	112
		W	14,427	14,337	128	113
		WU	14,027	13,940	128	109
VL18L	-40°F to 131°F (-40°C to 55°C)	M	17,836	17,726	140	127
		MU	16,797	16,692	140	120
		W	16,852	16,748	140	120
		WU	16,386	16,284	140	117
VL22L	-40°F to 131°F ² (-40°C to 55°C)	M	22,406	22,267	188	119
		MU	21,100	20,969	188	112
		W	21,170	21,038	188	112
		WU	20,583	20,455	188	109
VL28L	-40°F to 113°F (-40°C to 45°C)	M	29,071	28,891	245	118
		MU	27,377	27,206	245	112
		W	27,468	27,297	245	112
		WU	26,707	26,541	245	109

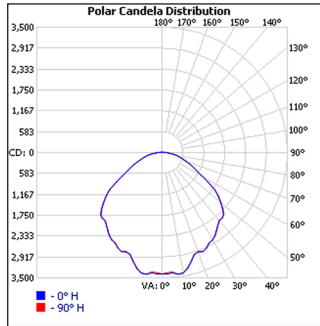
Projected Lumen Maintenance (TM-21)³

Package	0 Hours	15,000 Hours	30,000 Hours	45,000 Hours	60,000 Hours	100,000 Hours
VL 28L @ 25C	1.0	0.98	0.97	0.96	0.95	0.94
VL 28L @ 40C	1.0	0.96	0.95	0.94	0.93	0.89
VL 28L @ 45C	1.0	0.96	0.94	0.92	0.90	0.85
VL 22L @ 25C	1.0	0.98	0.97	0.96	0.95	0.93
VL 22L @ 40C	1.0	0.96	0.95	0.94	0.92	0.89
VL 22L @ 55C	1.0	0.95	0.93	0.91	0.89	0.84
VL 18L, 14L, 12L @ 25C	1.0	0.98	0.97	0.97	0.96	0.95
VL 18L, 14L, 12L @ 40C	1.0	0.98	0.97	0.96	0.95	0.93
VL 18L, 14L, 12L @ 55C	1.0	0.96	0.95	0.93	0.92	0.89

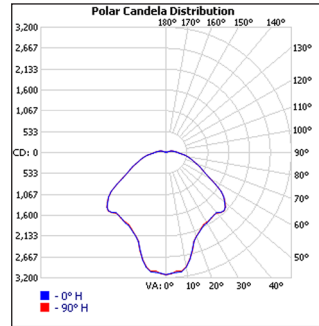
Notes

- 1 Absolute photometry calculated in accordance with IESNA LM-79-08
- 2 Occupancy Sensor rated at 50°C, 347/480 voltages rated at 50°C
- 3 Calculated using data collected according to LM-80 and represents lumen maintenance of the LED package.

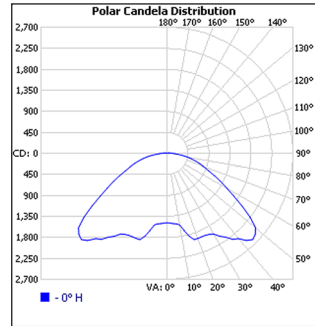
DISTRIBUTION DATA



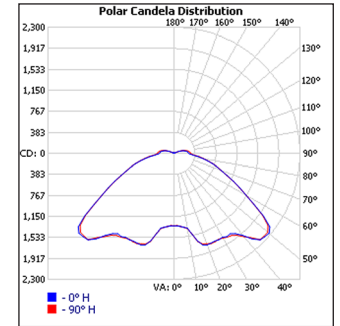
Medium



Medium with Uplight Reflector



Wide



Wide with Uplight Reflector

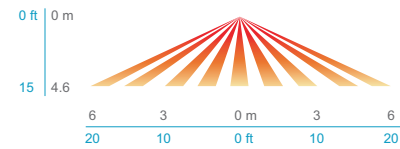
CONTROLS



SBGR6, SBGR6D, MSE6AWL DSCXAWL Coverage Data. AXA10 wireless enabled.

- Best choice for 15 to 45 ft. (4.57 to 13.72 m) mounting heights
- 15 to 20 ft. (4.57 to 6.10 m) radial coverage overlaps area lit by a typical high bay fixture
- Large motion (e.g., walking) detection up to a 35-ft. (10.76 m) mounting height
- Extra large motion (e.g., forklifts) detection up to a 45-ft. (13.72 m) mounting height

LOW VIEW



HIGH VIEW

